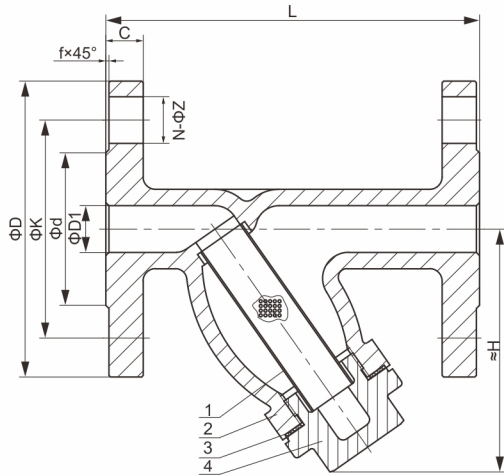


日标六角式Y型过滤器

JIS Y-TYPE STRAINER

15A-100A GL41F-10K



技术要求 Applicable Standards

1. 设计标准 Design Rating: JIS B2071, ASME B 16.34;
2. 结构长度 Face to Face: JIS B2002;
3. 法兰标准 Flanged Ends: JIS B2220;
4. 检查和试验 Inspection & Testing: JIS B2003.

主要零部件材料 Main Parts and Materials

No.	零件名称 PAPT NAME	材质 MATERIAL
1	滤网 Mesh	304/316
2	阀体 Body	SCS13/SCS14

No.	零件名称 PAPT NAME	材质 MATERIAL
3	密封垫 Gasket	PTFE
4	阀盖 Bonnet	SCS13/SCS14

Note: This diagram expressing only component material details and dimensions; Other shipment please prevail in kind!!!

主要外形尺寸和连接尺寸 Main External and Connecting Dimensions

NPS	D1	d	K	D	f	C	N-ΦZ	L	H
15A	15	51	70	95	1	12	4-15	120	72
20A	20	56	75	100	1	14	4-15	125	84
25A	25	67	90	125	1	14	4-19	160	87
32A	32	76	100	135	2	16	4-19	170	103
40A	40	81	105	140	2	16	4-19	180	105
50A	50	96	120	155	2	16	4-19	200(190)	124
65A	65	116	140	175	2	18	4-19	270(210)	153
80A	80	126	150	185	2	18	8-19	290(305)	184
100A	100	151	175	210	2	18	8-19	340(360)	215